

Veritas VeriShield® Modular Radiation Shielding

Save time. Save space. Save lives.

veritas
Medical Solutions

Veritas VeriShield modular shielding systems

Veritas VeriShield is a system of dry stacked modules that can be easily configured into any size, shape or type of radiation shielded therapy room. Individual shielding requirements are met by tailoring the density and number of layers of VeriShield as needed. Shielding is easily installed, in even the most confined work site, and can be easily upgraded, reconfigured or removed if needed.

Compared to concrete, rooms constructed with VeriShield require less than half the space and are erected in weeks instead of months. Modules are easily transported to the worksite and can be stored indoors or out, as installation is unaffected by weather. Their compact size allows for convenient delivery with fast and easy installation without disrupting surrounding services.

No other shielding method provides a comparable blend of attenuation performance, convenience and affordability.



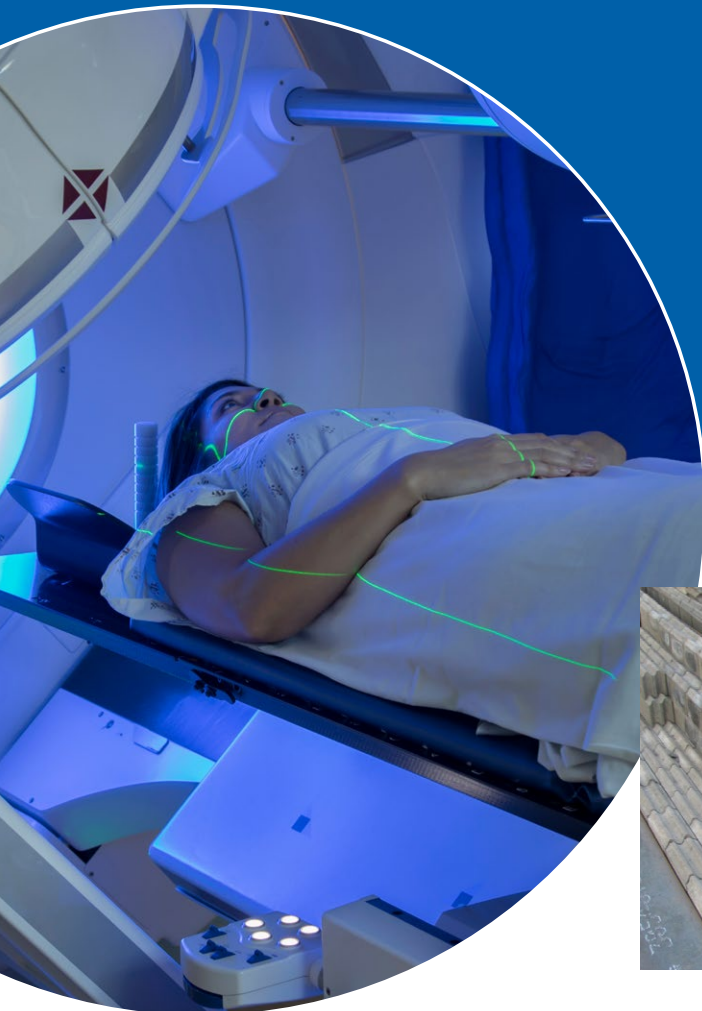
ATTENUATION

VeriShield provides superior neutron and photon attenuation for all types and energies of equipment.

The groundbreaking interlocking curves of VeriShield introduce an extra measure of radiation protection. By eliminating any chance of straight line passage of radiation between the modules, VeriShield provides enhanced attenuation levels—by a factor of two times at the joints—unmatched by other existing shielding methods.

INTERLOCKING RIDGES

The smoothly curved faces of the VeriShield modules provide a tight fit between individual pieces (top to bottom and on both ends), for a solid, leak-free interlock.



VeriShield construction allows for unmatched flexibility in designing details to accommodate virtually any installation. The VeriShield modules and shapes can be configured to produce the very best in shielding strength and effectiveness.

guarantee 100% radiation protection.



DENSITY

VeriShield is available in a variety of densities ranging from 150/lbs/ft³ (2.4 g/cm³), to 313 lbs/ft³ (5.0 g/cm³).

SIZE

Standard VeriShield modules are 5" x 5" x 10" (127mm x 127mm x 254mm). Their compact size allows for easier handling along with increased worker safety and a dramatic reduction in per-piece installation times.

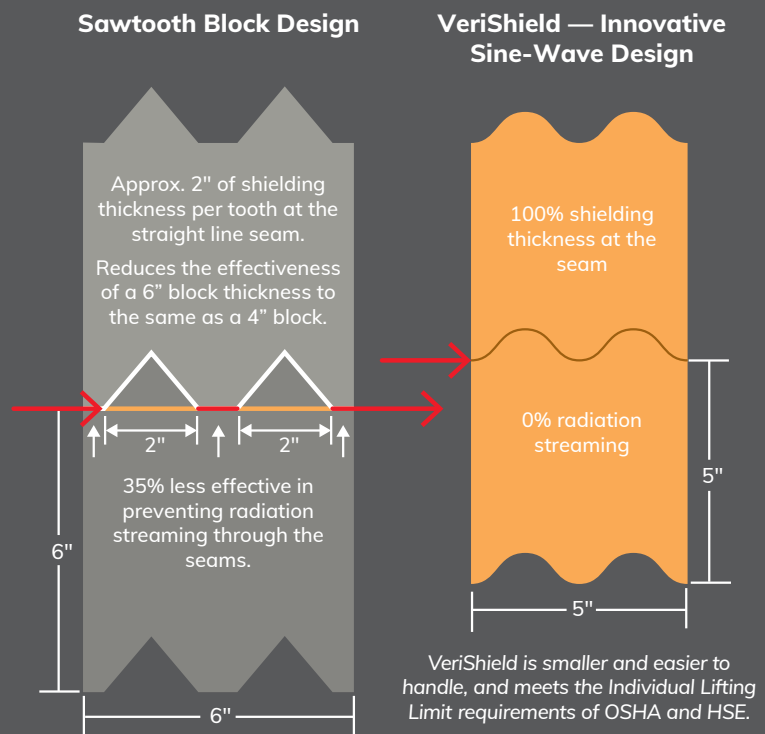


FRACTIONAL MODULES

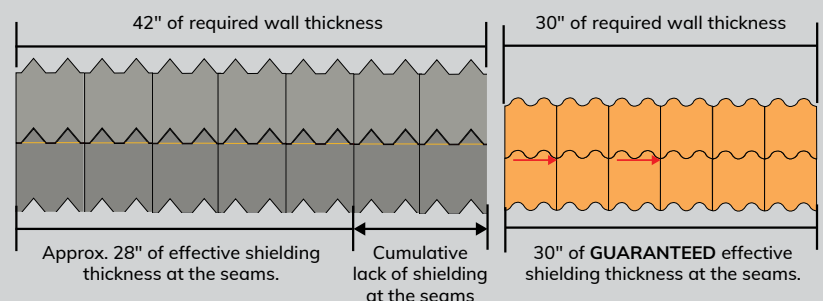
In addition to standard full-sized modules, VeriShield is available in half thicknesses (HT), which allow layers to be offset, effectively locking the overall shielding structure firmly together.

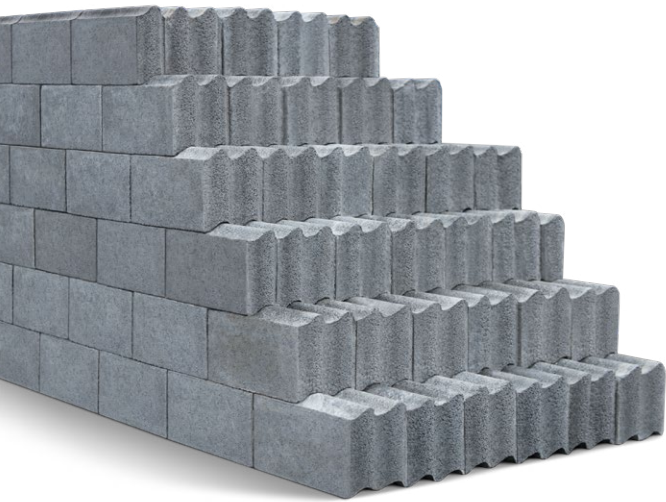
UNIQUE SINE-WAVE SHAPE ELIMINATES LEAKAGE

Patented Veritas VeriShield radiation shielding is designed to eliminate any problems of straight line radiation streaming inherent in angular-shaped blocks. Unlike sawtooth-shaped blocks where shielding effectiveness can be reduced by 35%, VeriShield modules feature 100% shielding effectiveness throughout the shielding structure, providing a solid, leak-free barrier.



The ability of radiation to pass through straight line seams requires saw-tooth block shielding to be 140% thicker than VeriShield to ensure complete attenuation.



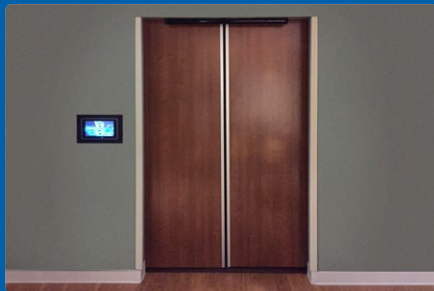
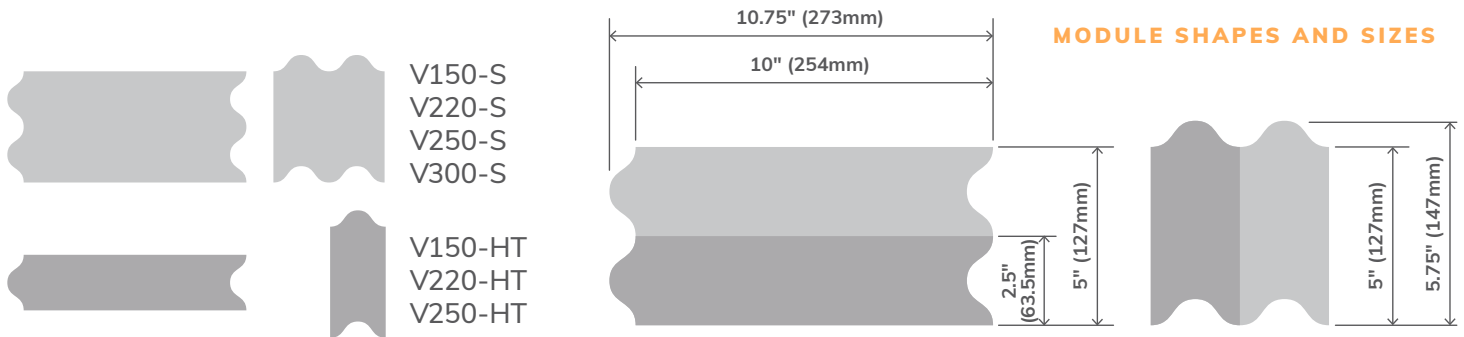


VERITAS VERISHIELD V150/V250/V300

TYPE		FACE LENGTH		FACE HEIGHT		THICKNESS		*DENSITY	
MODEL NO.	DESCRIPTION	in.	mm.	in.	mm.	in.	mm.	lbs/ft3	g/cm3
V150-S	STANDARD	10	254	5	127	5	127	150	2.4
V220-S								220	3.5
V250-S								250	4.0
V300-S								313	5.0
V150-HT	HALF THICKNESS	10	254	5	127	2.5	63.5	150	2.4
V220-HT								220	3.5
V250-HT								250	4.0

*Density variances may vary by ±8% due to standard manufacturing tolerances. VeriShield® modular blocks are engineered to meet or exceed industry standards, ensuring 100% radiation shielding effectiveness.

Lead-free Veritas VeriShield far surpasses the effectiveness of concrete, and greatly outperform other manufacturer's shielding block clones and knockoffs.



SMARTDOOR® SHIELDED DOORS

With operating times as fast as 6 to 8 seconds, advanced Veritas radiation-shielded doors eliminate the need for doorless or maze openings.



SMARTSUITE® INTERIORS

Veritas can work with your general construction team as a single-source provider for a radiation-shielded room solution with all the features you need to meet your exact requirements.



SMARTVUE® WINDOWS

Get a vision for a therapy environment with window glass that lets patients see outside the room—then “frosts over” as radiation shielding moves behind the glass and lights dim as treatment begins.



VERITAS-MEDICALSOLUTIONS.COM